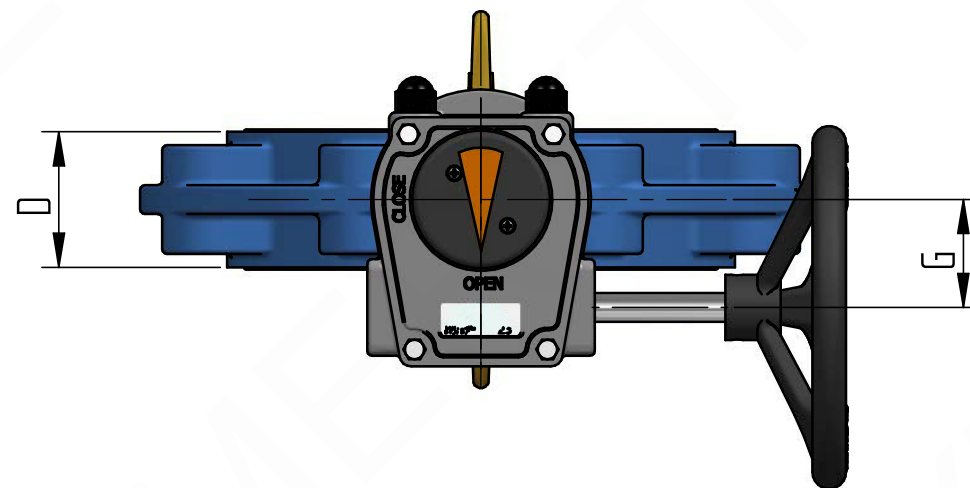
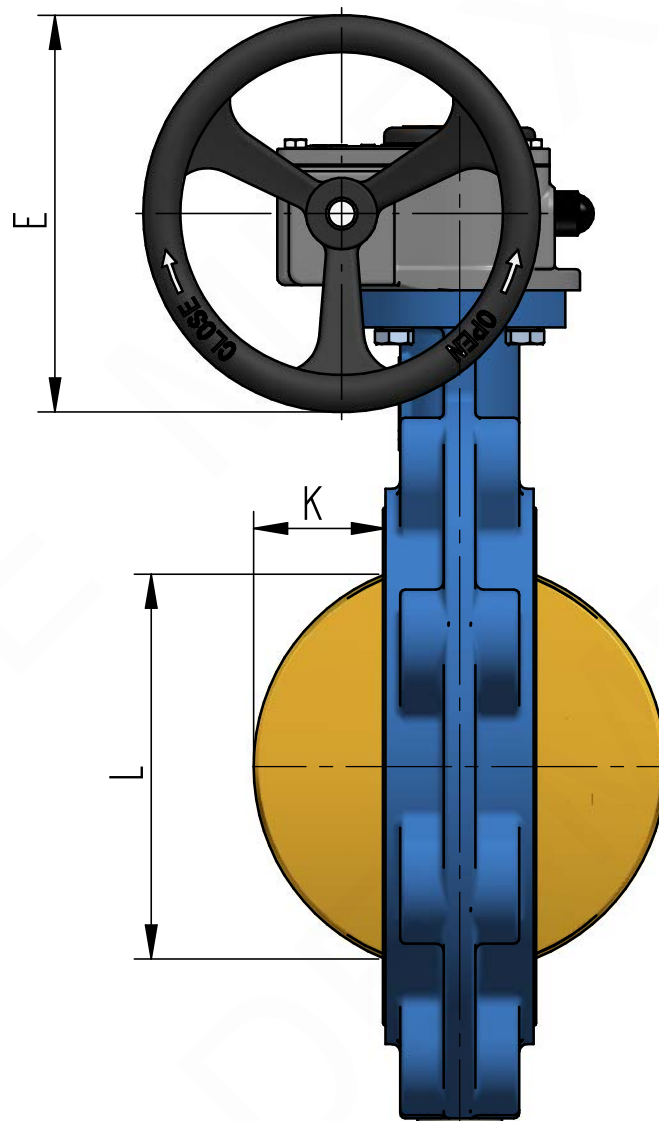
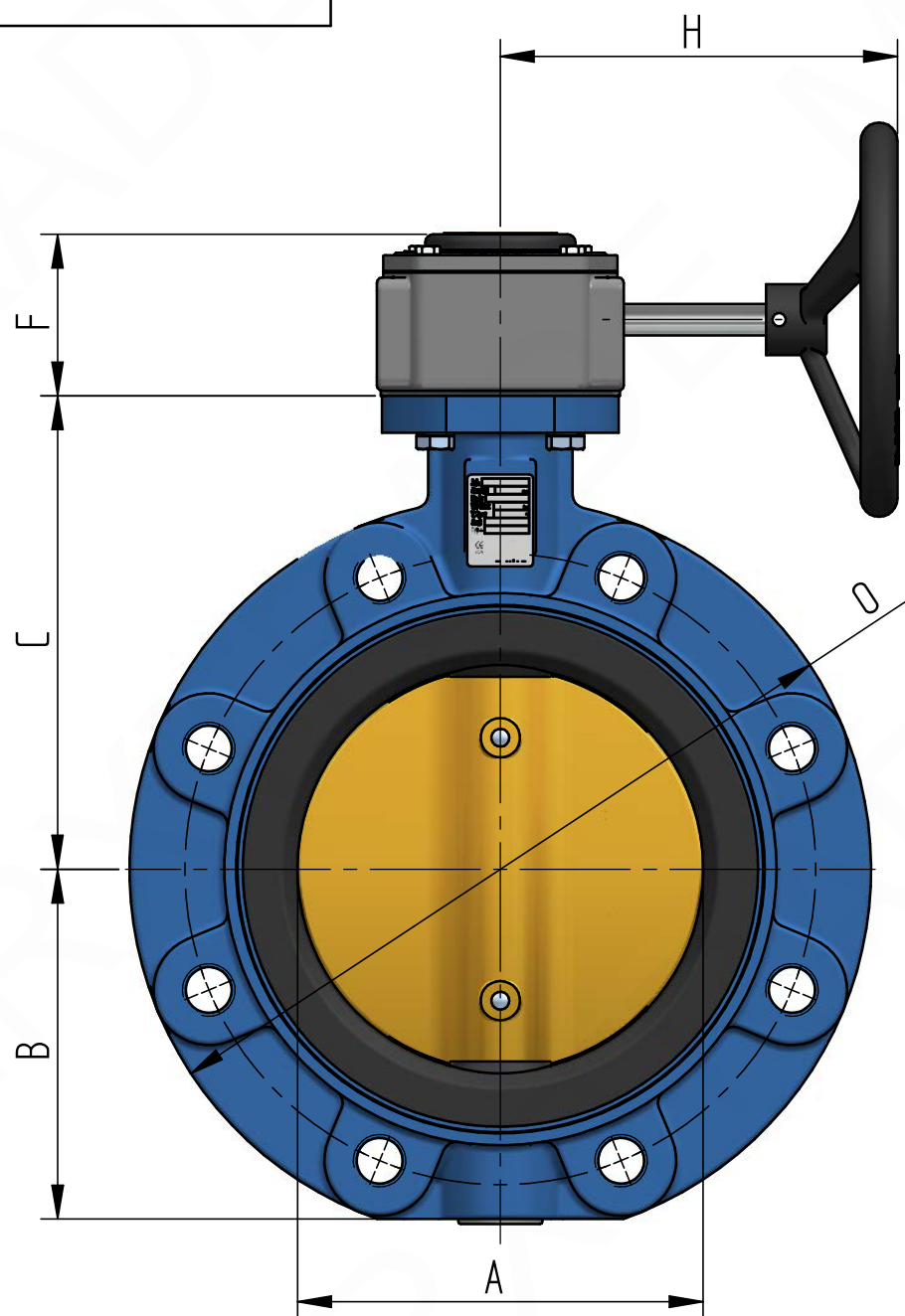


LUG TYPE GEARBOX OPERATED



LUG TYPE - GEARBOX OPERATED DN40 - DN150

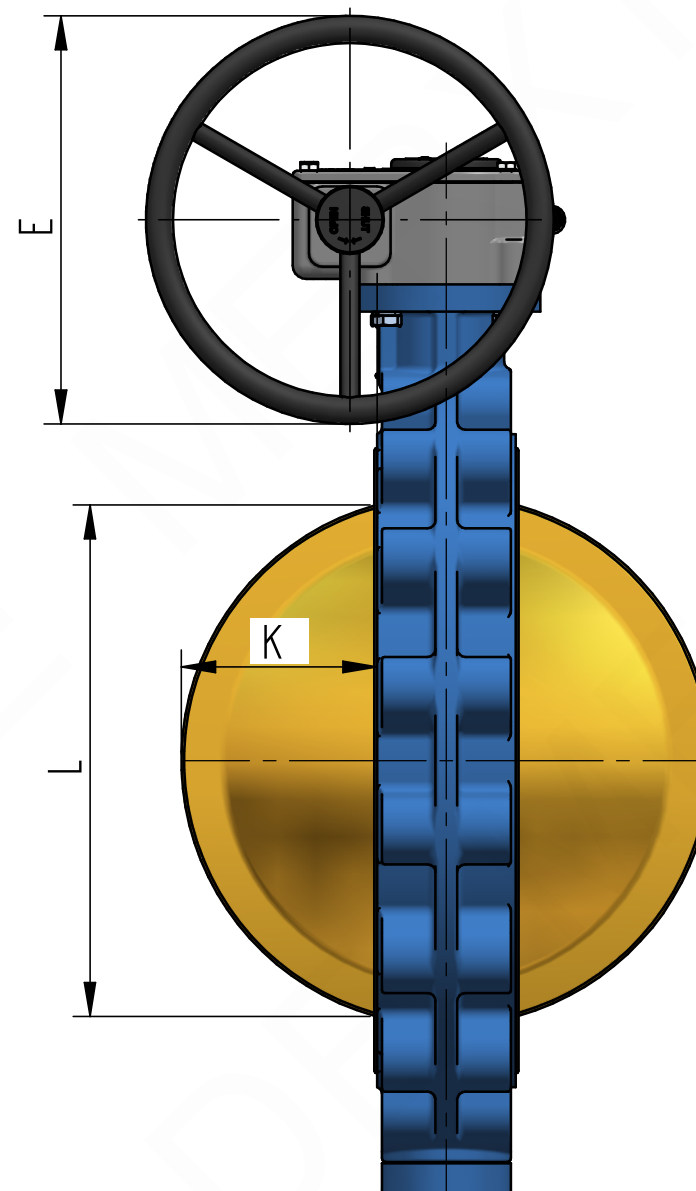
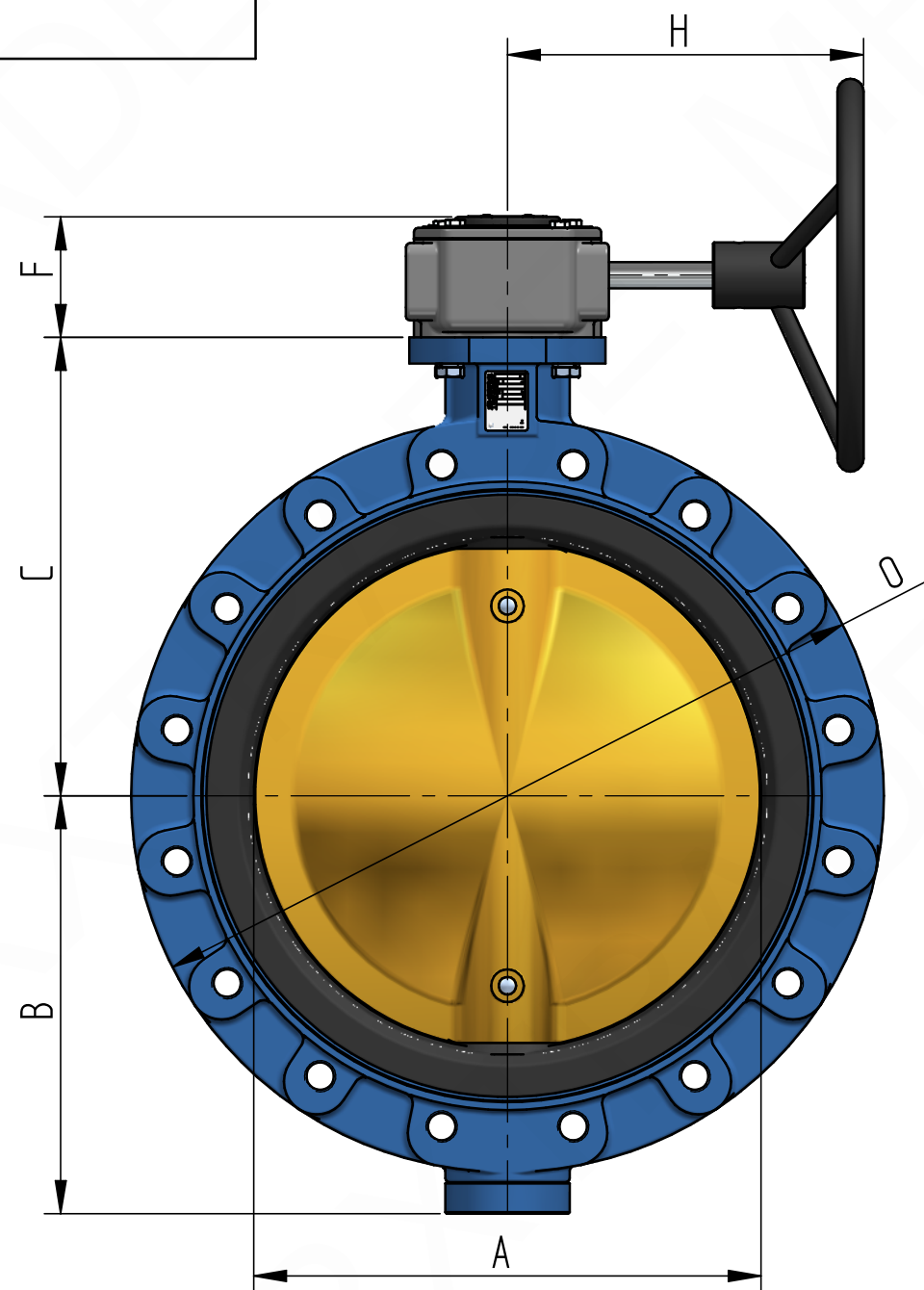


Size DN40 to DN150, Design EN593
 Face to face acc. EN558.1 series 20
 Flange connections: DIN PN6-10-16-25
 ANSI B 16.5 Cl. 150#, JIS B 2211 5K, 10K
 Temperature -40/+250°C
 Various pressure ratings up to 25 bar
 Top flange according ISO 5211
 Vacuum to 1*10⁻³ 0.2 Torr absolute

Standard available materials :			
BODY	DISC	SHAFT	SEAT
EN-JS1030	BS 1400 AB2	SS 1.4122	NBR -15°C / +80°C
A216 WCB	EN-JS1030	SS 431	EPDM -30°C / +110°C
SS 1.4408	SS 1.4408	SS 1.4462	Viton -0°C / +200°C
BS 1400 AB2	SD 2507	SD F53	Silicone -20°C / +250°C

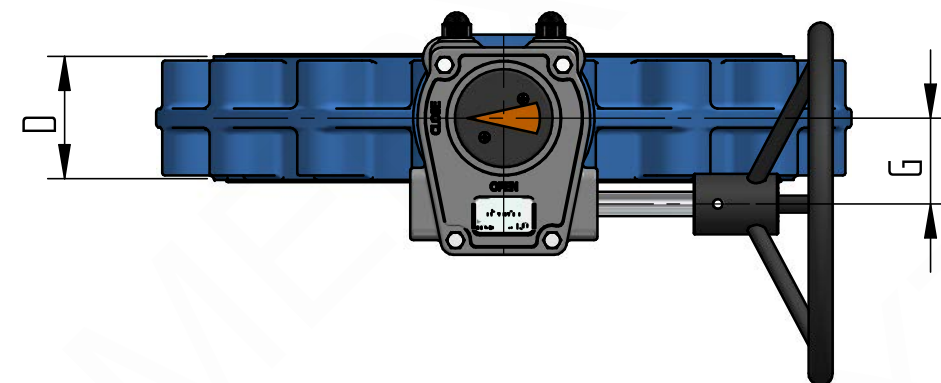
Size	A	B	C	D	E	F	G	H	K	L	O	Weight ± Kg
DN 40	41	58	113	33	SC-150	62	44.6	151	4	24	147	6.1
DN 50	52	65	118	43	SC-150	62	44.6	151	5	27	162	7.3
DN 65	63	73	126	46	SC-150	62	44.6	151	9	43	182	8.2
DN 80	78	95	133	46	SC-150	62	44.6	151	16	62	197	9.8
DN 100	103	102	147	52	SC-150	62	44.6	151	26	90	217	11.4
DN 125	125	116	160	56	SC-150	62	44.6	151	34	110	247	13.9
DN 150	155	133	180	56	SC-150	62	44.6	151	50	145	282	16.5

LUG TYPE - GEARBOX OPERATED DN200 - DN600



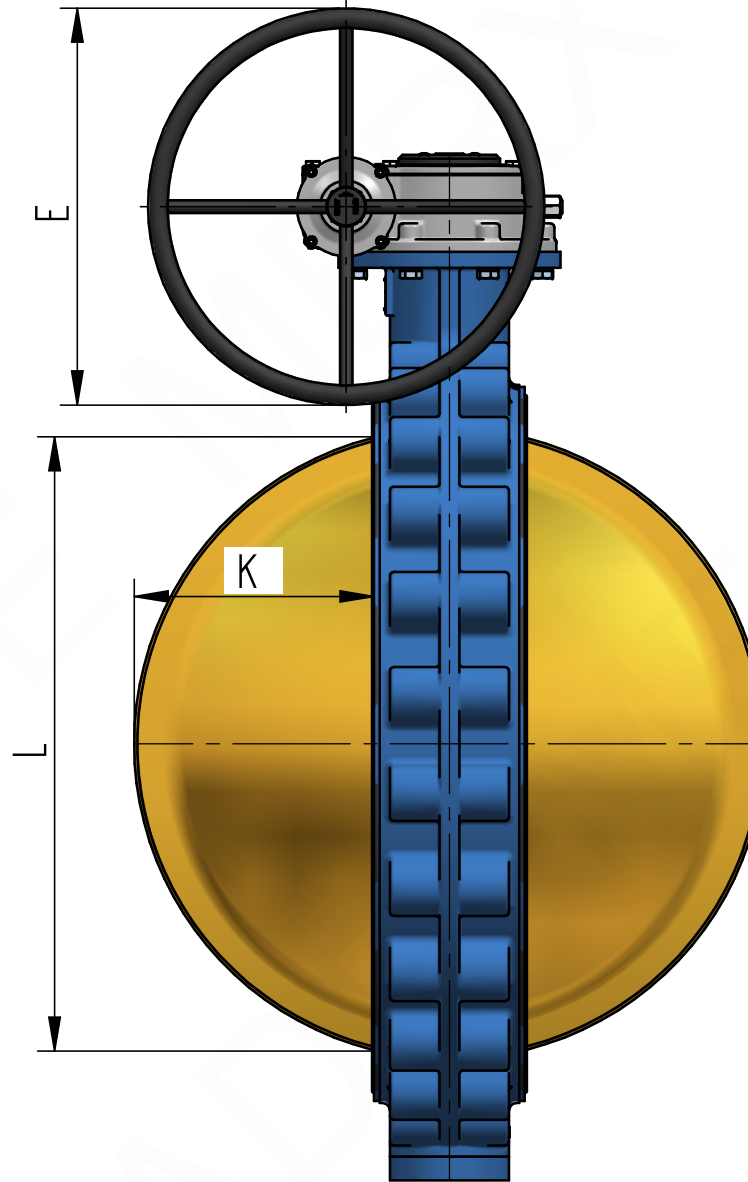
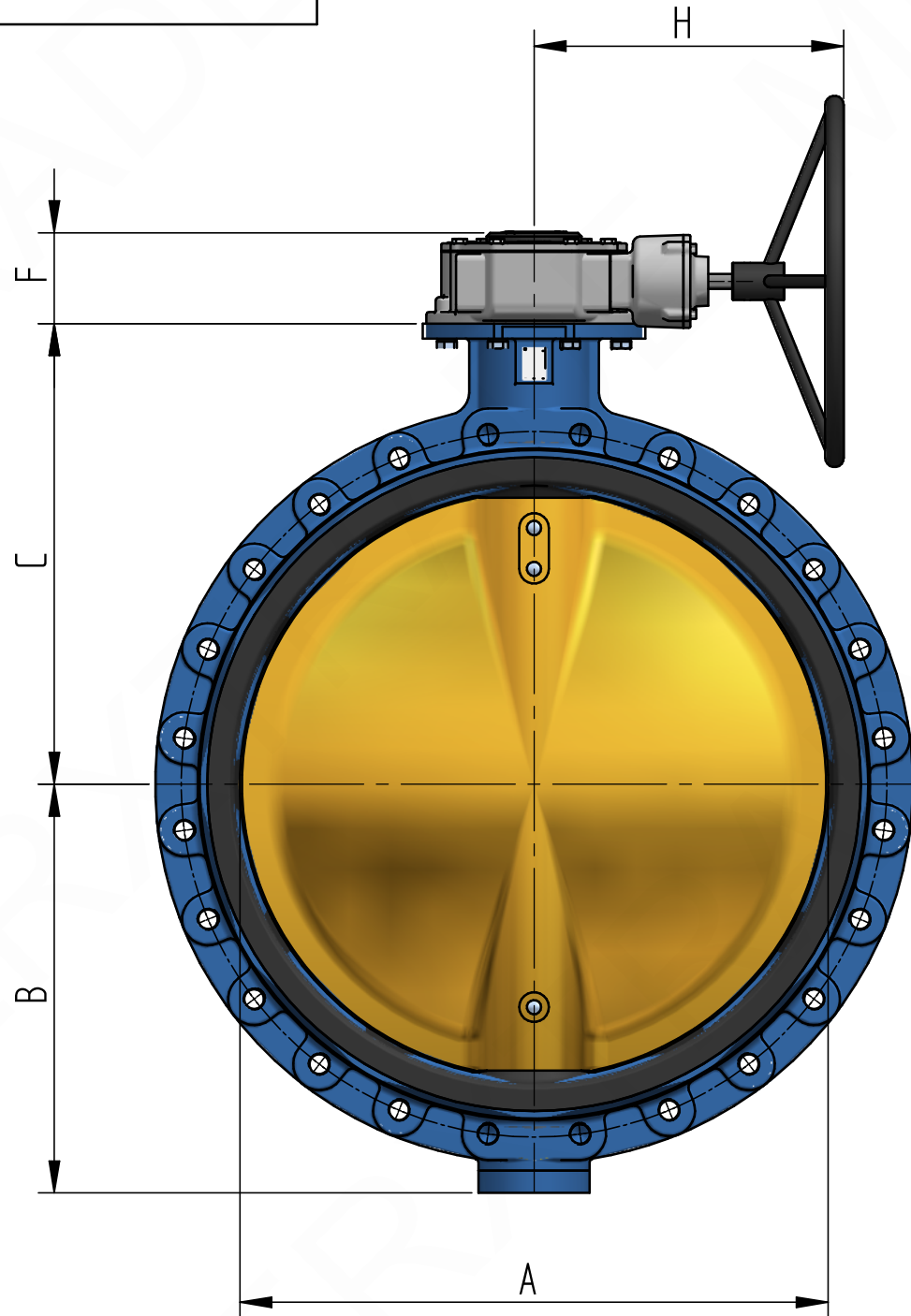
Size DN200 to DN600, Design EN593
 Face to face acc. EN558.1 series 20
 Flange connections: DIN PN6-10-16-25
 ANSI B 16.5 Cl. 150#, JIS B 2211 5K, 10K
 Temperature -40/+250°C
 Various pressure ratings up to 25 bar
 Top flange according ISO 5211
 Vacuum to 1*10⁻³ 0.2 Torr absolute

Standard available materials :			
BODY	DISC	SHAFT	SEAT
EN-JS1030	BS 1400 AB2	SS 1.4122	NBR -15°C / +80°C
A216 WCB	EN-JS1030	SS 431	EPDM -30°C / +110°C
SS 1.4408	SS 1.4408	SS 1.4462	Viton -0°C / +200°C
BS 1400 AB2	SD 2507	SD F53	Silicone -20°C / +250°C



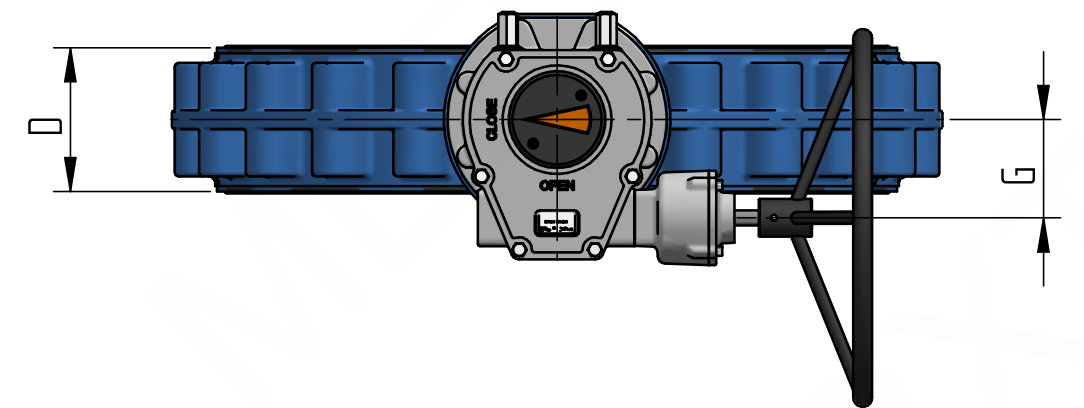
Size	A	B	C	D	E	F	G	H	K	L	O	Weight ± Kg
DN 200	201	160	204	60	SC-150	62	44.6	151	71	193	337	21.7
DN 250	249	194	245	68	SW-250	73	55	235	91	241	401	37.4
DN 300	302	221	270	78	SW-250	73	55	235	112	291	456	50.6
DN 350	340	295	315	78	SW-300	95	71	272	128	324	520	83.1
DN 400	397	319	350	102	SW-300	95	71	272	144	376	575	110.1
DN 450	438	353	375	114	SW-400	102	86	310	163	426	635	151.5
DN 500	489	387	415	127	SW-400	102	86	310	182	475	705	190.0
DN 600	590	453	562	154	SW-500	106	104.5	336	219	572	835	281.7

LUG TYPE - GEARBOX OPERATED DN700 - DN1000



Size DN700 to DN1000, Design EN593
 Face to face acc. EN558.1 series 20
 Flange connections: DIN PN6-10-16-25
 ANSI B 16.5 Cl. 150#, JIS B 2211 5K, 10K
 Temperature -40/+250°C
 Various pressure ratings up to 16 bar
 Top flange according ISO 5211
 Vacuum to 1*10⁻³ 0.2 Torr absolute

Standard available materials :			
BODY	DISC	SHAFT	SEAT
EN-JS1030	BS 1400 AB2	SS 1.4122	NBR -15°C / +80°C
A216 WCB	EN-JS1030	SS 431	EPDM -30°C / +110°C
SS 1.4408	SS 1.4408	SS 1.4462	Viton -0°C / +200°C
BS 1400 AB2	SD 2507	SD F53	Silicone -20°C / +250°C



Size	A	B	C	D	E	F	G	H	K	L	O	Weight ± Kg
DN 700	692	491	560	165	SW-500	125	130	420	265	676	800	320
DN 800	792	550	620	190	SW-500	125	130	420	302	772	905	455
DN 900	861	615	675	203	SW-500	123	150	435	330	840	1005	600
DN 1000	961	668	735	216	SW-500	123	150	435	374	940	1115	750